

## Design trap Flowstar S

Surface: **Chrome** Article Number: **52105000**



### Description

#### product features

- adjustment distance 60 - 165 mm
- distance to wall 330 mm
- odour trap - backwater height is 75 mm
- connection dimension entry: G 1¼
- connection dimension outlet: DN32

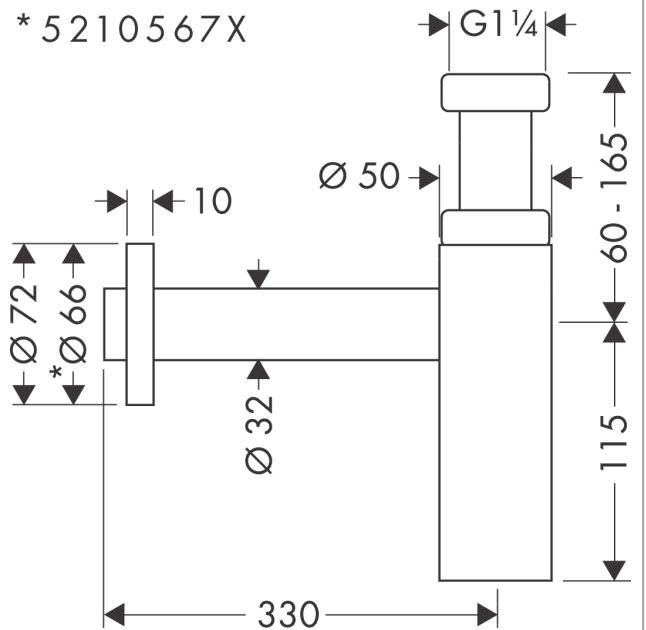
### Design awards



### Product image



### Scale drawing



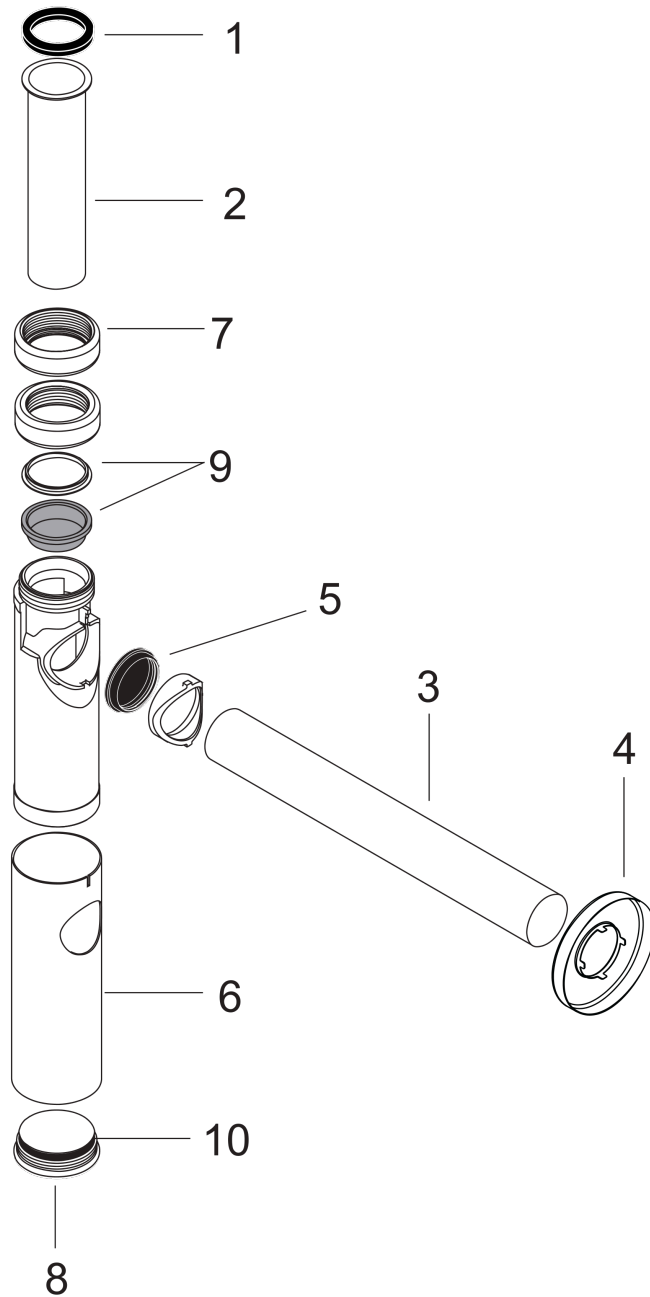
**Design trap Flowstar S**

Surface: **Chrome** Article Number: **52105000**



**Exploded Drawing**

Year of production: >03/04



**Design trap Flowstar S**Surface: **Chrome** Article Number: **52105000****Spare part list**

Year of production: &gt;03/04

Pos.	Description	Article Number	Price	PU
1	seal 1¼"	53971000	€ 3,33	1
2	sleeve pipe 1¼" 150 mm	96420000	€ 14,28	1
3	wall pipe 1¼" 500 mm	53493000	-	1
4	escutcheon	96490000	€ 18,80	1
5	sealed box	96487000	€ 3,33	1
6	sleeve	96554000	€ 36,89	1
7	sleeve nut	97702000	€ 11,66	1
8	plug	97258000	€ 18,80	1
9	wedge-shaped seal 1¼"	97701000	€ 5,36	1
10	O-ring 38x2,5	98198000	€ 5,36	1
a	pipe 1¼" 300 mm	53428000	-	1